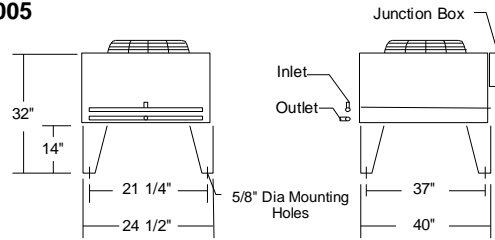
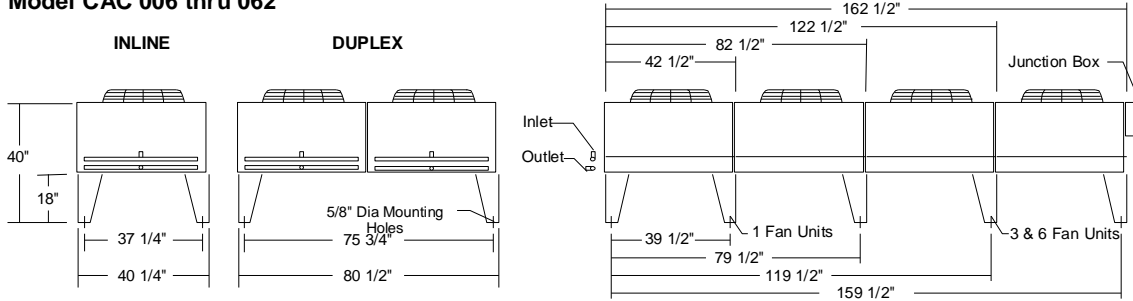


Model CAC 002 thru 005



Model CAC 006 thru 062



Unit Model	MBH R 22 @ 30°F TD	Available Circuits	Fan Data		Motor Data Total FLA				Operating Charge Lbs. R 22		Connection Size		Net Weight (Lbs.)
			Dia.	Qty	230/1	230/3	460/3	575/3	Summer	Winter	Inlet	Outlet	
INLINE UNITS													
CAC 002	29.7	1	20"	1	1.9	1.9	1	0.75	1.2	4.7	3/8	3/8	114
CAC 003	44.5	2	20"	1	1.9	1.9	1	0.75	2.3	9.3	7/8	5/8	123
CAC 004	59.0	2	20"	1	1.9	1.9	1	0.75	3.5	14.0	1 1/8	7/8	134
CAC 005	74.7	3	20"	1	1.9	1.9	1	0.75	3.5	14.0	1 1/8	7/8	144
CAC 006	89.4	4	24"	1	3.6	2.8	1.2	1	4.3	16.7	1 1/8	7/8	243
CAC 007	105.7	6	24"	1	3.6	2.8	1.2	1	6.2	24.8	1 3/8	7/8	262
CAC 010	151.0	8	24"	2	7.2	5.6	2.4	2	8.1	32.4	1 3/8	7/8	392
CAC 013	196.3	8	24"	2	7.2	5.6	2.4	2	8.3	32.6	1 3/8	1 1/8	434
CAC 015	219.0	12	24"	2	7.2	5.6	2.4	2	12.2	48.6	1 3/8	1 1/8	468
CAC 018	266.4	20	24"	3	10.8	8.4	3.6	3	12.3	48.6	1 3/8	1 3/8	573
CAC 021	317.1	20	24"	3	10.8	8.4	3.6	3	18.1	72.4	1 3/8	1 3/8	642
CAC 023	336.9	20	24"	3	10.8	8.4	3.6	3	18.1	72.4	1 3/8	1 3/8	703
CAC 026	384.8	20	24"	4	14.4	11.2	4.8	4	16.1	64.3	1 3/8	1 3/8	752
CAC 028	418.1	30	24"	4	14.4	11.2	4.8	4	23.8	95.9	1 5/8	1 3/8	841
CAC 031	461.6	30	24"	4	14.4	11.2	4.8	4	23.8	95.9	1 5/8	1 3/8	925
DUPLEX UNITS													
CAC 020	302.0	16	24"	4	14.4	11.2	4.8	4	16.2	64.8	1 1/8	7/8	784
CAC 027	392.6	16	24"	4	14.4	11.2	4.8	4	16.6	65.2	1 3/8	1 1/8	868
CAC 030	438.0	24	24"	4	14.4	11.2	4.8	4	24.4	97.2	1 3/8	1 1/8	934
CAC 036	532.8	40	24"	6	21.6	16.8	7.2	6	24.6	97.2	1 3/8	1 3/8	1146
CAC 042	634.2	40	24"	6	21.6	16.8	7.2	6	36.2	144.8	1 3/8	1 3/8	1284
CAC 046	673.8	40	24"	6	21.6	16.8	7.2	6	36.2	144.8	1 3/8	1 3/8	1406
CAC 052	769.6	40	24"	8	28.8	22.4	9.6	8	32.2	128.6	1 3/8	1 3/8	1504
CAC 056	836.2	60	24"	8	28.8	22.4	9.6	8	47.6	191.8	1 5/8	1 3/8	1682
CAC 062	923.2	60	24"	8	28.8	22.4	9.6	8	47.6	191.8	1 5/8	1 3/8	1850